

TRANSPORT REFRIGERATION

LEADING AUTOMOTIVE A/C MANUFACTURER

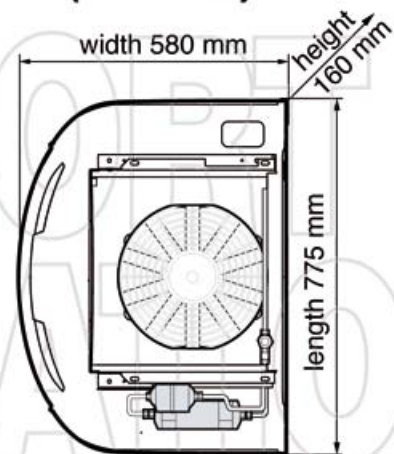


- HIGH COOLING CAPACITY • LOW POWER CONSUMPTION
- SMALL DIMENSIONS • LOW WEIGHT • ALUMINIUM BODY
- ABS ACRYLIC COVER

CONDENSER (PARALELFLOW) NOSE & ROOF MOUNTING



(R-134a)



TRCR 221, 241

TRCR-221 • 12V • P.N. 4130-221

TRCR-241 • 24V • P.N. 4130-241

NOMINAL TECHNICAL DATA:

Refrigeration Capacity (at Ambient Temperature 30°C, R 134A) :

0°C : 2243W

Power Consumption : 6A - 12V / 3A - 24V

Weight : 13.2 Kg



ALEX ORIGINAL

SINCE 1959

www.alex-original.com / info@alex-original.com